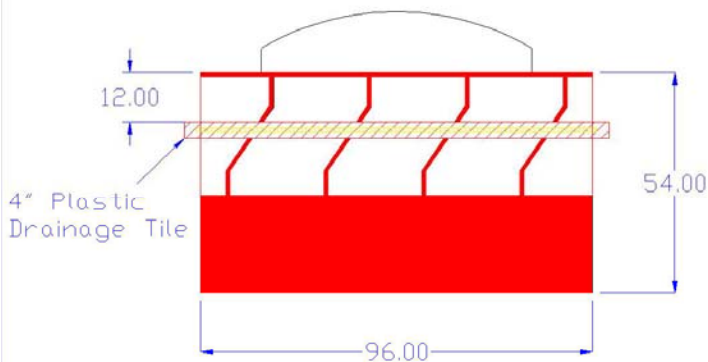
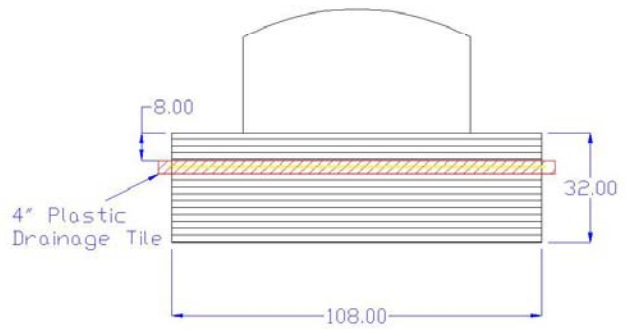


## Grain Bin Ring Design

- ⇒ Constructed of one grain bin ring with a Polypropylene liner
- ⇒ Liner held in place by a log chain

Number	Size	Description	Grade	Price	Unit	Total
3	32'h x 9'-10"L	Grain Bin Sheet	20 guage	\$82.00	per sheet	\$246.00
1		Nuts and Bolts		\$68.73	kit	\$68.73
2	16'	Log Chains		\$39.99		\$79.98
1	8"	C- Clamp		\$15.00		\$15.00
1		Load Binder		\$35.00		\$35.00
40	4" D	Field Tile		\$0.37		\$14.80
1	24' x 24'	Polypropylene Liner	36 mil.	\$450.00		\$450.00
Shipping Total						\$147.70
Total						\$1,057.21



## Hay Ring Structure

- ⇒ Built using a 8' diameter cattle feeder hay ring and liner
- ⇒ Liner held in place by a log chain

Number	Size	Description	Grade	Price	Total
1	8' Diameter	Hay Ring	16 gauge	\$169.85	\$169.85
1	24' x 24'	Polypropylene Liner	36 mil.	\$450.00	\$450.00
2	16'	Log Chains		\$39.99	\$79.98
1	8"	C- Clamp		\$15.00	\$15.00
1		Load Binder		\$35.00	\$35.00
40	4" D	Field Tile		\$0.37	\$14.80
Shipping Total					\$47.70
Total					\$812.33

## Metal Stock Tank

- ⇒ A Telone tank is placed inside a polypropylene liner and stock tank.
- ⇒ Liner held in place by a log chain

Number	Size	Description	Grade	Price	Total
1	8' Diameter	Metal Stock Tank		\$244.82	\$244.82
1	18' x 20'	Polypropylene Liner	36 mil.	\$341.82	\$341.82
2	16'	Log Chains		\$39.99	\$79.98
1	8"	C- Clamp		\$15.00	\$15.00
1		Load Binder		\$35.00	\$35.00
40	4" D	Field Tile		\$0.37	\$14.80
Shipping Total					\$47.70
Total					\$779.12

